

# Fan Data: MOB200-2EM

## External Wall Mounted Centrifugal Extract Unit

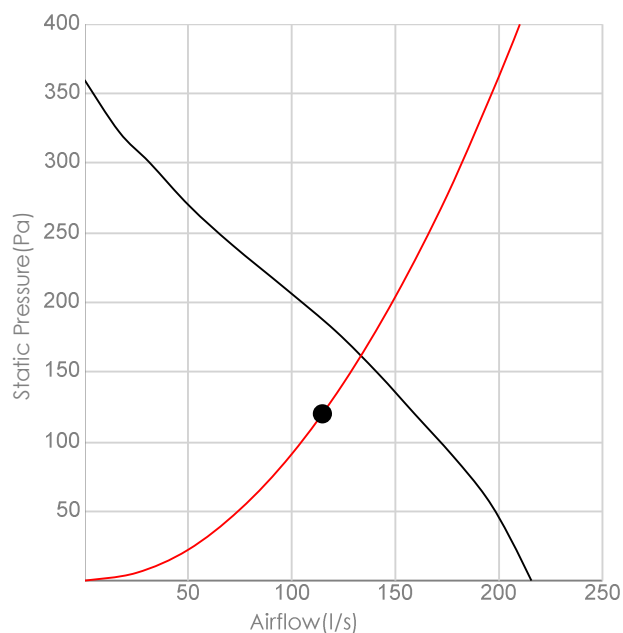


### Selection Criteria

Design Flow(l/s)	115	Design Pressure(Pa)	120
Temperature(degrees)	21	Altitude(m)	0

### Data Output

Diameter (mm)	200
Weight (kg)	5.7
Impeller	Wall commercial Duty
Speed (RPS)	43
Pwr to Airflow Rate W/(l/s)	0.9
BCA Compliance	Complies with Section J5.2 2009 Complies with Section J5.2 2010



### Motor Data

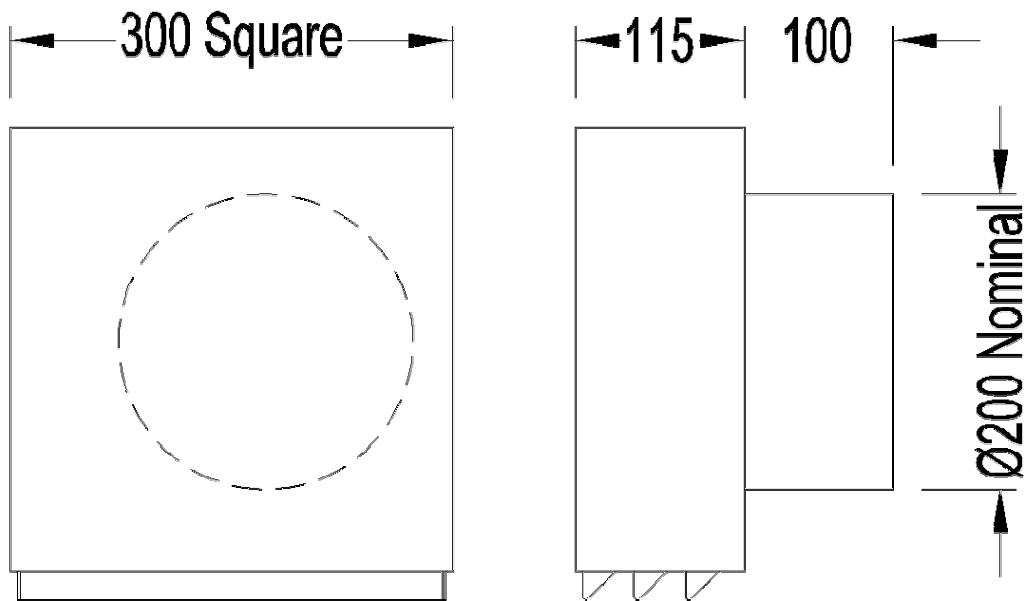
Rated (kW)	0.12
Type	Single Speed
Speed (RPS)	43
Voltage (V)	240
Phase	1
Hz	50
Full Load Current (A)	0.53
Starting Current (A)	3.18
Class	Standard
Mount	FOOT

# Fan Data: MOB200-2EM

External Wall Mounted Centrifugal Extract Unit



## Dimensions



## Wiring

